

FEATURES

- MODEL D 410 - LV
Threaded
- MODEL D 412 - LV
Flanged
- MODEL D 413 - LV
Open flange

Threaded type



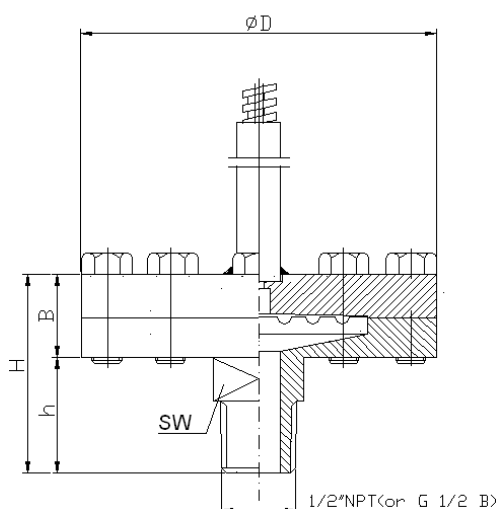
APPLICATION

Diaphragm seal to combine with pressure gauges and differential pressure gauges with diaphragm or transmitters for low pressure ranges. Suitable for corrosive, contaminated or hot pressure media.

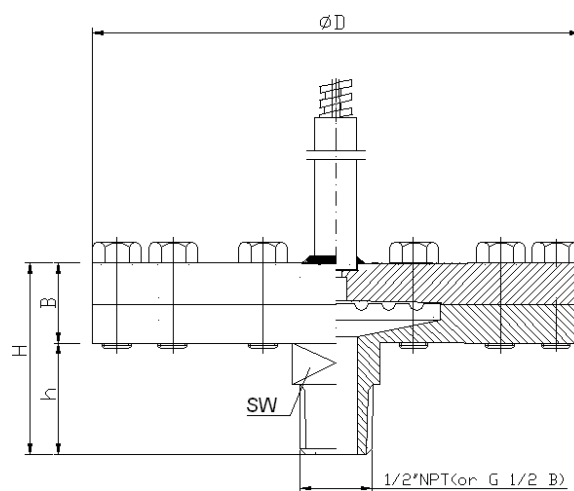
STANDARD SPECIFICATIONS

| | | |
|-----------------------|---|---|
| Range type | : | 100 mbar and up (depend on application) |
| Upper body | : | AISI 316 |
| Diaphragm | : | AISI 316L |
| Lower body | : | AISI 316 / 316 L |
| Process connection | : | Threaded or flanged |
| Pressure rating | : | PN 16 with 124 mm diaphragm PN 40 / 100 with 72 mm diaphragm |
| Bolting | : | AISI 304 |
| Instrument connection | : | 1/2" BSP F for direct mounting 1/4" NPT F for capillary |

PN 40 / 100

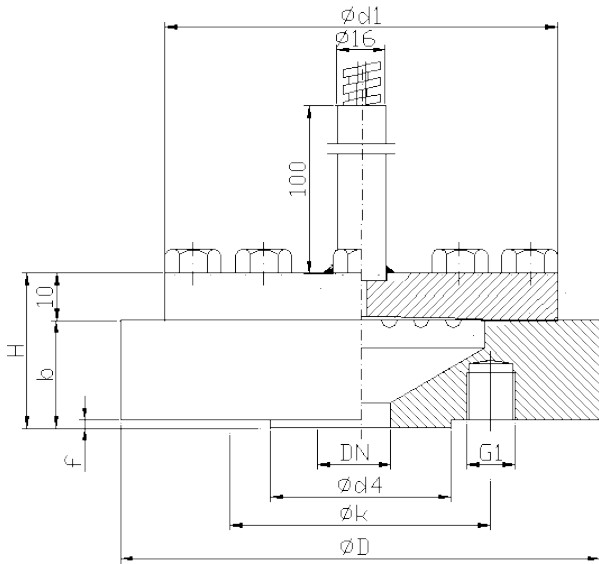


PN 16

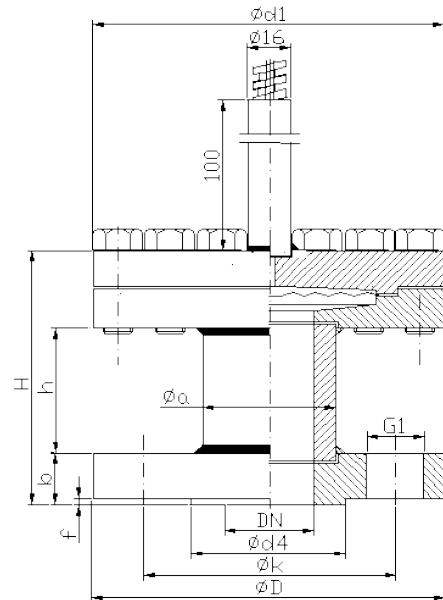


| PN bar | DIMENSIONS mm | | | | | |
|--------|---------------|-----|----|----|----|----|
| | D | dM | H | h | B | SW |
| 40 | 110 | 72 | 51 | 30 | 21 | 22 |
| 16 | 160 | 124 | 60 | 36 | 24 | 22 |

PN 40 / 100



PN 16



| DN mm ¹ | PN bar | DIMENSIONS mm | | | | | | | | | |
|-----------------------|-----------|---------------|-----|-----|-----|----|----|-----|----|---|------|
| | | dM | D | d1 | d4 | h | H | k | b | f | G1 |
| 15 | 40 | 72 | 110 | 110 | 45 | - | 48 | 65 | 32 | 2 | M 12 |
| 15 | 40 | 124 | 95 | 160 | 45 | 63 | 79 | 65 | 16 | 2 | Ø 14 |
| 25 | 40 | 72 | 115 | 110 | 68 | - | 42 | 85 | 26 | 2 | M 12 |
| 50 | 40 | 72 | 165 | 110 | 102 | - | 44 | 125 | 28 | 3 | M 16 |
| 50 | 40 | 124 | 165 | 160 | 102 | 54 | 70 | 125 | 20 | 3 | Ø 18 |

| NPS In. ¹ | PN class | DIMENSIONS mm | | | | | | | | | |
|-------------------------|-------------|---------------|-----|-----|----|----|----|-------|----|-----|------|
| | | dM | D | d1 | d4 | h | H | k | b | f | G1 |
| ½ | 300 | 72 | 110 | 110 | 35 | - | 48 | 66.5 | 32 | 1.6 | ½" |
| ½ | 150 | 72 | 110 | 110 | 35 | - | 50 | 60.5 | 34 | 1.6 | ½" |
| 1 | 300 | 72 | 125 | 110 | 51 | - | 42 | 89 | 26 | 1.6 | 5/8" |
| 2 | 300 | 72 | 165 | 110 | 92 | - | 42 | 127 | 26 | 1.6 | 5/8" |
| 2 | 150 | 124 | 150 | 160 | 92 | 54 | 70 | 120.5 | 18 | 1.6 | Ø 20 |



LARGE VOLUME DIAPHRAGM

D400

ORDERING CODES

| 1. TYPE | | D410 | 8. PROCESS CONNECTION | | 14N | | | |
|----------------------------|---------------------------------|------|-------------------------------|--------------|-------------------------------|--------------|-------------------------------|--------------|
| D410 | Threaded | | | 14B | | 1/2" BSP (M) | 15B | 3/4" BSP (M) |
| D412 | Flanged | | | 12N | | 1/4" NPT (M) | 14N | 1/2" NPT (M) |
| D413 | Open flange | | 15N | 3/4" NPT (M) | | | | |
| | | | 04N | 1/2" NPT (F) | | | | |
| 2. TOP CHAMBER MATERIAL | | LC | 9. PROTECTION ON WETTED PARTS | | | | | |
| LC | AISI 304 | | LF | AISI 316 | | PA | PTFE lining on bottom chamber | |
| LG | AISI 316L | | | PB | PTFE lining on bottom chamber | | | |
| 3. DIAPHRAGM MATERIAL | | DG | 10. ASSEMBLY | | B8 | | | |
| DG | AISI 316L | | DM | Monel 400 | | B8 | Direct(not possible for DPG) | |
| DO | Hastelloy C-276 | DQ | Inconel 600 | B9 | Remote(capillary) | | | |
| 4. GASKETS | | RM | 11. CAPILLARY | | OV | | | |
| RP | PTFE | | RM | Viton | | OU | AISI 304 SS | |
| 5. BOTTOM CHAMBER MATERIAL | | NF | | | OV | AISI 316 SS | | |
| NC | AISI 304 | | NF | AISI 316 | 12. ARMOUR | | | |
| NG | AISI 316L | NM | Monel 400 | OX | AISI 304 SS | OY | AISI 316 SS | |
| NO | Hastelloy C-276 | | | OZ | PVC (Ambient max. 60°C) | | | |
| 6. INSTRUMENT CONNECTION | | 04B | 13. REMOTE MOUNTING LENGTH | | XX | | | |
| 04B | 1/2" BSP (F) | | 04N | 1/2" NPT (F) | | XXXX | 1000 mm up to 10000 mm | |
| 7. SEALING FLUID | | OA | 14. OTHER OPTIONS | | XX | | | |
| OA | Silicon oil [-40°C to 250°C] | | XZ | Dry seal | | | | |
| OF | Food grade oil [-20°C to 200°C] | HL | Helium leak test | | | | | |
| OI | Syltherm 800 [-40°C to 400°C] | TM | Material test certificate 2.2 | | | | | |
| OL | Silicon DC 710 [7°C to 371°C] | TC | Material test certificate 3.1 | | | | | |

Ordering Example : D410-LC-DG-RM-NF-04B-OA-14N-B8

D400

